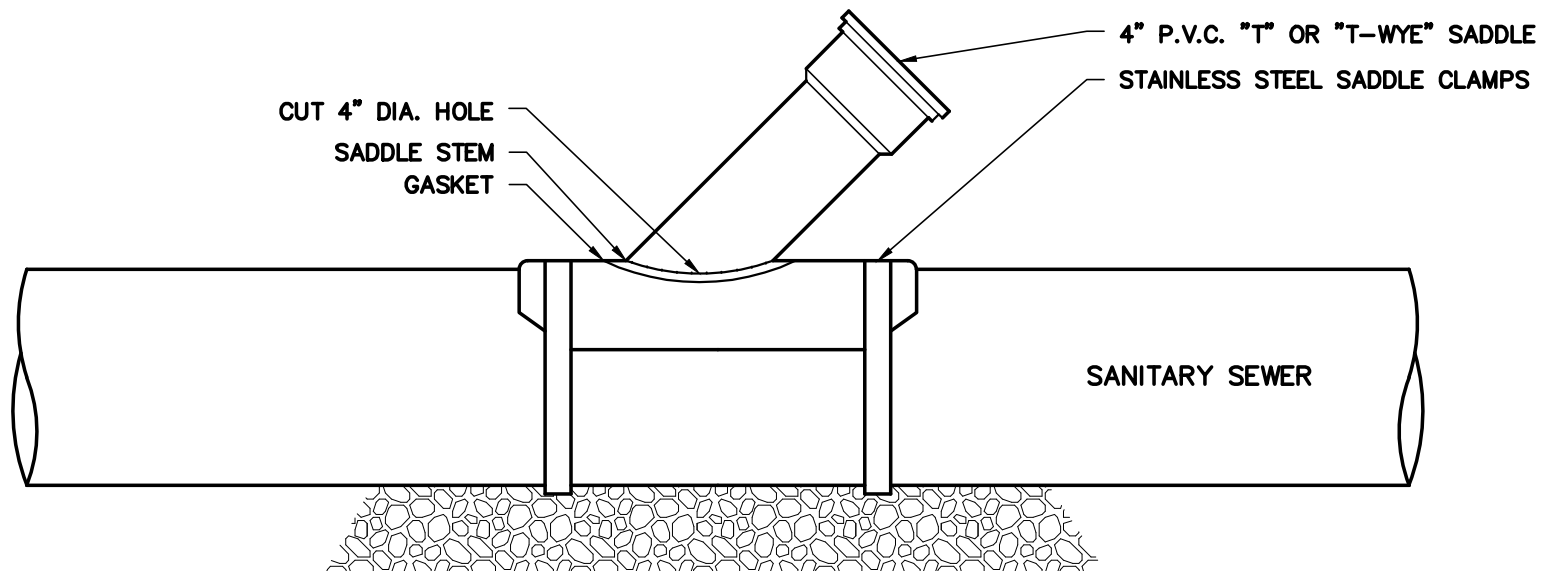


TRAFFIC PROTECTOR SIDEWALK
CLEAN-OUT DETAIL
 N.T.S.

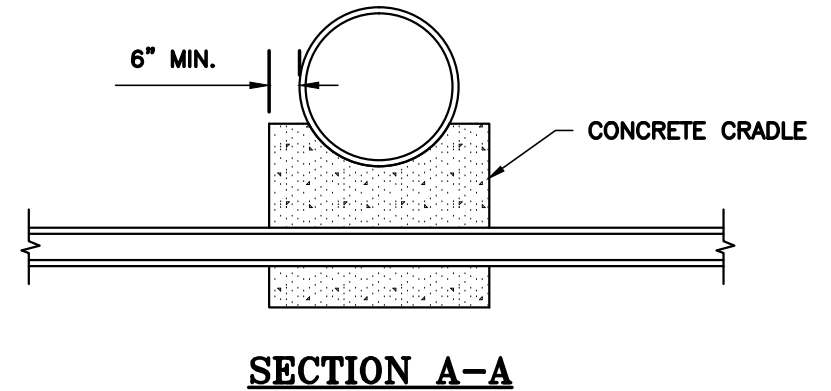
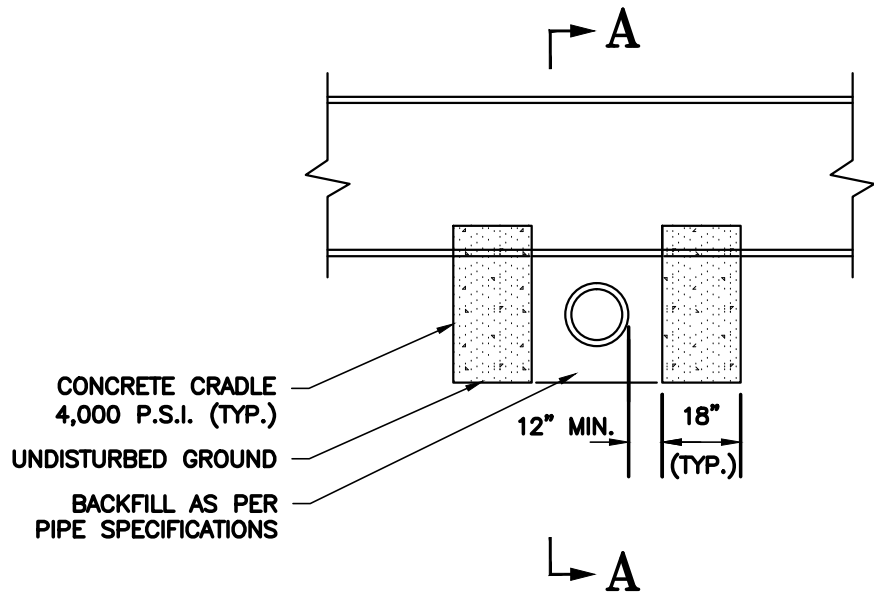


P.V.C. SADDLE CONNECTION DETAIL

N.T.S.

GASKET:

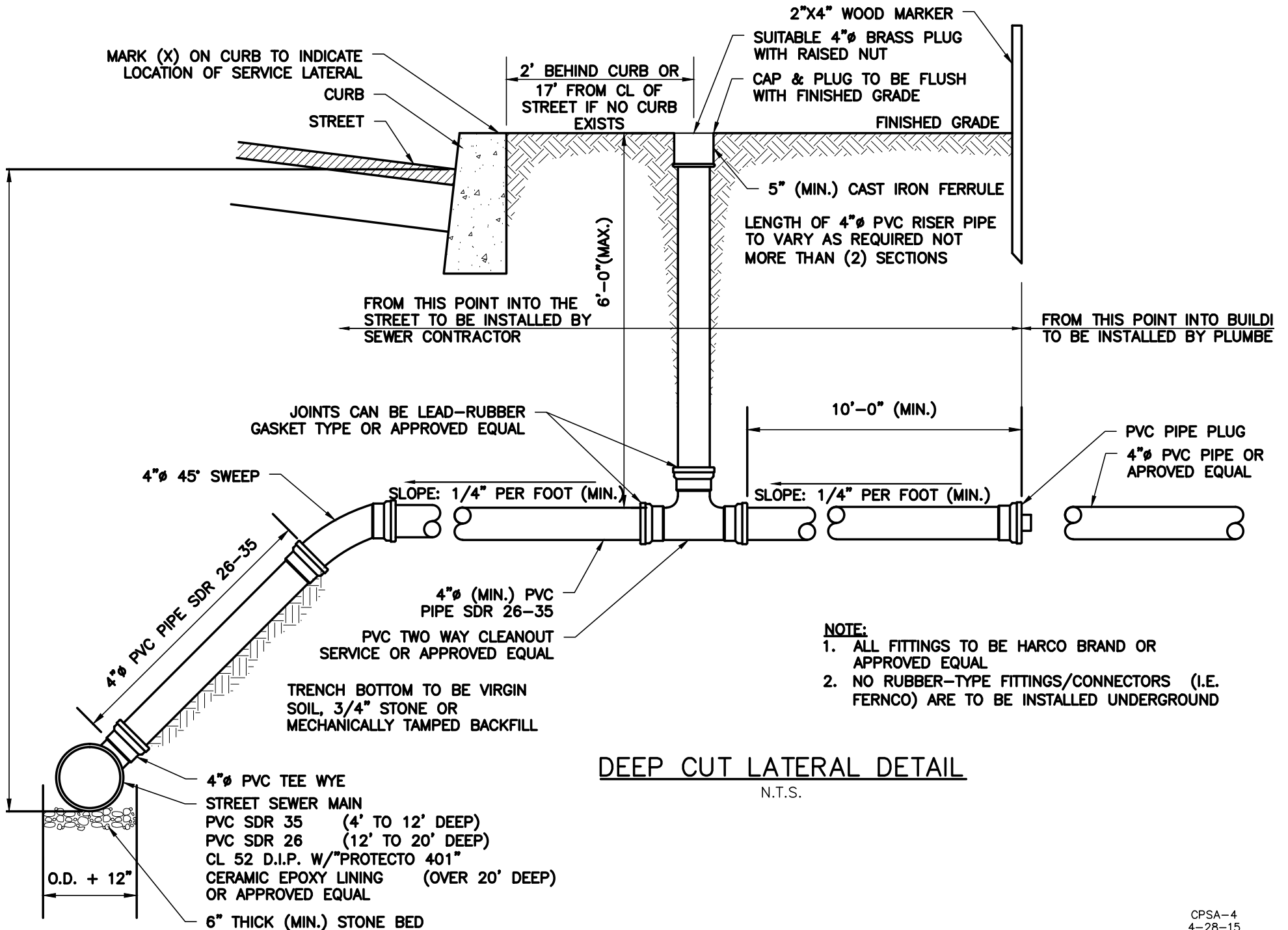
1. CUT OPENING IN EXISTING SANITARY SEWER 1/4" LARGER THAN THE O.D. OF SADDLE STEM. DOWNSTREAM SIDE TO BE CUT 45° TO ALLOW SADDLE STEM TO FIT.
2. MAKE SURE BOTH SURFACES ARE CLEAN.
3. POSITION SADDLE WITH GASKET OVER OPENING.
4. TIGHTEN DOWN ON STAINLESS STEEL SADDLE CLAMPS.



NOTE:
CONCRETE CRADLE TO BE PROVIDED
WHEN AND WHERE DIRECTED ON
PLANS OR BY LOCAL M.U.A. FIELD
REPRESENTATIVE.

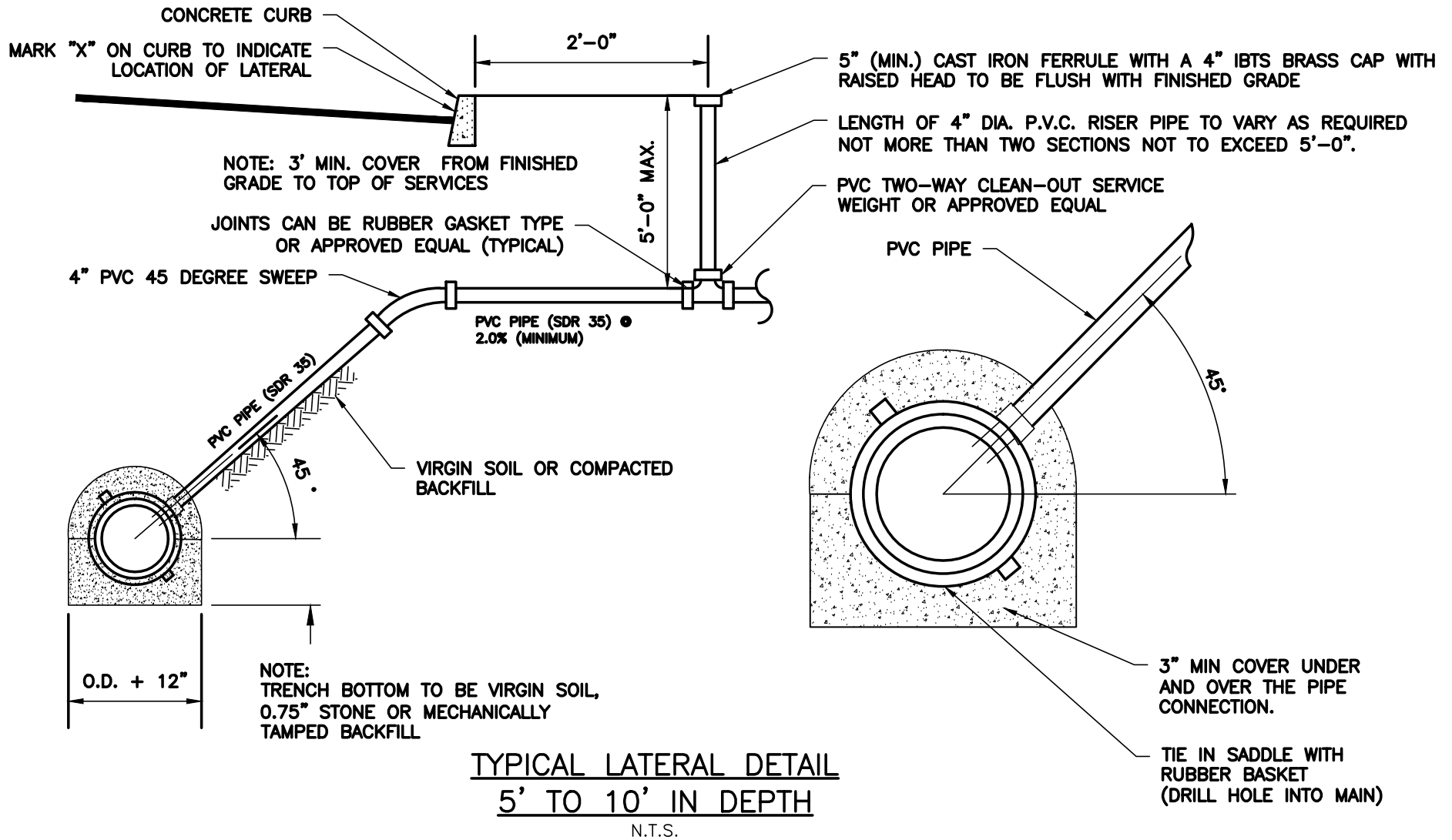
TYPICAL CONCRETE CRADLE DETAIL

N.T.S.



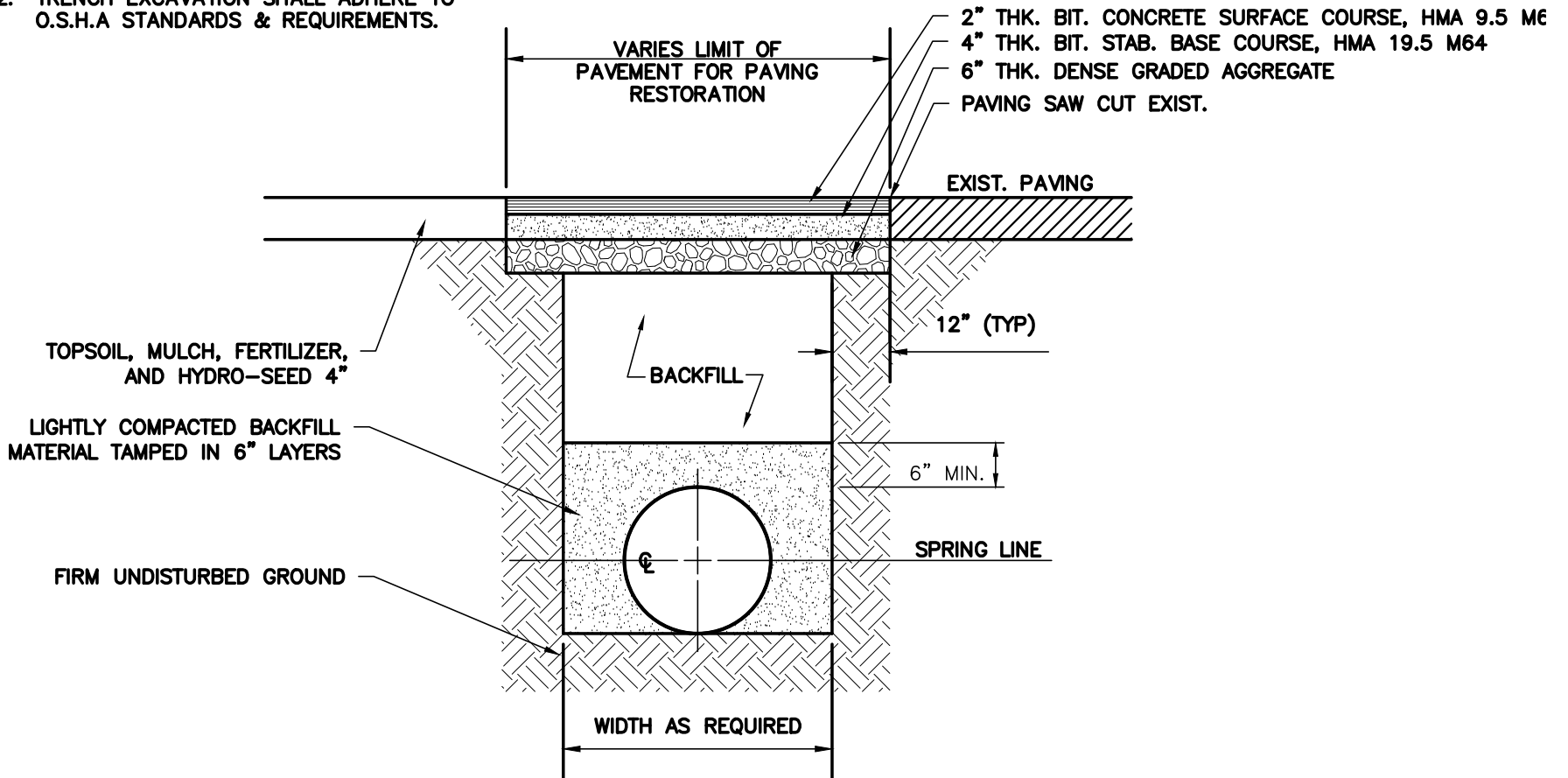
DEEP CUT LATERAL DETAIL

N.T.S.



NOTE:

1. TRENCH SIDES MAY BE SLOPED AND/OR TRENCH WIDTH MAY BE INCREASED FROM A POINT 1'-0" ABOVE PIPE IN ACCORDANCE WITH SPECIFICATIONS.
2. TRENCH EXCAVATION SHALL ADHERE TO O.S.H.A STANDARDS & REQUIREMENTS.



SEWER MAIN TRENCH

N.T.S

